

# EEPROM Serial 2-Kb I<sup>2</sup>C for DDR2 DIMM SPD

## CAT34C02

### Description

The CAT34C02 is a EEPROM Serial 2-Kb I<sup>2</sup>C, internally organized as 16 pages of 16 bytes each, for a total of 256 bytes of 8 bits each.

It features a 16-byte page write buffer and supports both the Standard (100 kHz) as well as Fast (400 kHz) I<sup>2</sup>C protocol.

Write operations can be inhibited by taking the WP pin High (this protects the entire memory) or by setting an internal Write Protect flag via Software command (this protects the lower half of the memory).

**In addition to Permanent Software Write Protection, the CAT34C02 also features JEDEC compatible Reversible Software Write Protection for DDR2 Serial Presence Detect (SPD) applications operating over the 1.7 V to 3.6 V supply voltage range.**

**The CAT34C02 is fully backwards compatible with earlier DDR1 SPD applications operating over the 1.7 V to 5.5 V supply voltage range.**

### Features

- Supports Standard and Fast I<sup>2</sup>C Protocol
- 1.7 V to 5.5 V Supply Voltage Range
- 16-Byte Page Write Buffer
- Hardware Write Protection for Entire Memory
- Software Write Protection for Lower 128 Bytes
- Schmitt Triggers and Noise Suppression Filters on I<sup>2</sup>C Bus Inputs (SCL and SDA)
- Low power CMOS Technology
- 1,000,000 Program/Erase Cycles
- 100 Year Data Retention
- Industrial and Extended Temperature Range
- This Device is Pb-Free, Halogen Free/BFR Free and RoHS Compliant\*

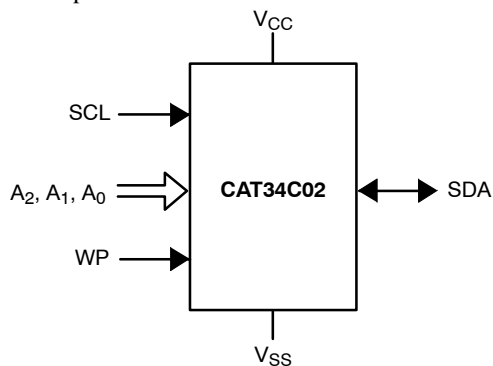


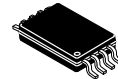
Figure 1. Functional Symbol

\*For additional information on our Pb-Free strategy and soldering details, please download the ON Semiconductor Soldering and Mounting Techniques Reference Manual, SOLDERRM/D.



**ON Semiconductor®**

[www.onsemi.com](http://www.onsemi.com)



TSSOP-8  
Y SUFFIX  
CASE 948AL

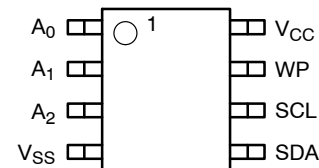


TDFN-8  
VP2 SUFFIX  
CASE 511AK



UDFN-8 EP  
HU4 SUFFIX  
CASE 517AZ

### PIN CONFIGURATION



TSSOP (Y), TDFN (VP2),  
UDFN (HU4)

For the location of Pin 1, please consult the corresponding package drawing.

### PIN FUNCTION

| Pin Name   | Function                 |
|--|--------------------------|
| A <sub>0</sub> , A <sub>1</sub> , A <sub>2</sub> | Device Address Input     |
| SDA  | Serial Data Input/Output |
| SCL  | Serial Clock Input       |
| WP   | Write Protect Input      |
| V <sub>CC</sub>                                  | Power Supply             |
| V <sub>SS</sub>                                  | Ground                   |

### ORDERING INFORMATION

See detailed ordering and shipping information in the package dimensions section on page 10 of this data sheet.

# CAT34C02

**Table 1. ABSOLUTE MAXIMUM RATINGS**

| Parameter  | Rating        | Unit |
|--|---------------|------|
| Operating Temperature                                | -45 to +130   | °C   |
| Storage Temperature                                  | -65 to +150   | °C   |
| Voltage on Any Pin with Respect to Ground (Note 1)   | -0.5 to +6.5  | V    |
| Voltage on Pin A <sub>0</sub> with Respect to Ground | -0.5 to +10.5 | V    |

Stresses exceeding those listed in the Maximum Ratings table may damage the device. If any of these limits are exceeded, device functionality should not be assumed, damage may occur and reliability may be affected.

- The DC input voltage on any pin should not be lower than -0.5 V. During transitions, the voltage on any pin may undershoot to no less than -1.5 V, for periods of less than 20 ns.

**Table 2. RELIABILITY CHARACTERISTICS (Note 2)**

| Symbol                    | Parameter      | Min       | Units                 |
|---------------------------|----------------|-----------|-----------------------|
| N <sub>END</sub> (Note 3) | Endurance      | 1,000,000 | Program/ Erase Cycles |
| T <sub>DR</sub>           | Data Retention | 100       | Years                 |

- These parameters are tested initially and after a design or process change that affects the parameter according to appropriate AEC-Q100 and JEDEC test methods.
- Page Mode, V<sub>CC</sub> = 5 V, 25°C

**Table 3. D.C. OPERATING CHARACTERISTICS**

(V<sub>CC</sub> = 1.7 V to 5.5 V, T<sub>A</sub> = -40°C to +85°C and V<sub>CC</sub> = 2.5 V to 5.5 V, T<sub>A</sub> = -40°C to +125°C, unless otherwise specified.)

| Symbol          | Parameter          | Test Conditions                                     | Min  | Max                    | Units |
|-----------------|--------------------|---|--|------------------------|-------|
| I <sub>CC</sub> | Supply Current     | V <sub>CC</sub> < 3.6 V, f <sub>SCL</sub> = 100 kHz |  | 1                      | mA    |
|                 |                    | V <sub>CC</sub> > 3.6 V, f <sub>SCL</sub> = 400 kHz |  | 2                      |       |
| I <sub>SB</sub> | Standby Current    | All I/O Pins at GND or V <sub>CC</sub>              | T <sub>A</sub> = -40°C to +85°C<br>V <sub>CC</sub> ≤ 3.3 V | 1                      | μA    |
|                 |                    |   | T <sub>A</sub> = -40°C to +85°C<br>V <sub>CC</sub> > 3.3 V | 3                      |       |
|                 |                    |   | T <sub>A</sub> = -40°C to +125°C                           | 5                      |       |
| I <sub>L</sub>  | I/O Pin Leakage    | Pin at GND or V <sub>CC</sub>                       |  | 2                      | μA    |
| V <sub>IL</sub> | Input Low Voltage  |   | -0.5   | 0.3 x V <sub>CC</sub>  | V     |
| V <sub>IH</sub> | Input High Voltage |   | 0.7 x V <sub>CC</sub>                                      | V <sub>CC</sub> + 0.5* |       |
| V <sub>OL</sub> | Output Low Voltage | V <sub>CC</sub> > 2.5 V, I <sub>OL</sub> = 3 mA     |  | 0.4                    |       |
|                 |                    | V <sub>CC</sub> < 2.5 V, I <sub>OL</sub> = 1 mA     |  | 0.2                    |       |

\*V<sub>IH</sub> Max = 4 V for SDA and SCL when V<sub>CC</sub> = 0 V.

**Table 4. PIN IMPEDANCE CHARACTERISTICS**

(V<sub>CC</sub> = 1.7 V to 5.5 V, T<sub>A</sub> = -40°C to +85°C and V<sub>CC</sub> = 2.5 V to 5.5 V, T<sub>A</sub> = -40°C to +125°C, unless otherwise specified.)

| Symbol                   | Parameter  | Conditions  | Max | Units |
|--------------------------|--|---|-----|-------|
| C <sub>IN</sub> (Note 4) | SDA I/O Pin Capacitance                                | V <sub>IN</sub> = 0 V, f = 1.0 MHz, V <sub>CC</sub> = 5.0 V | 8   | pF    |
|                          | Other Input Pins                                       |   | 6   |       |
| I <sub>WP</sub> (Note 5) | WP Input Current                                       | V <sub>IN</sub> < V <sub>IH</sub> , V <sub>CC</sub> = 5.5 V | 130 | μA    |
|                          |  | V <sub>IN</sub> < V <sub>IH</sub> , V <sub>CC</sub> = 3.6 V | 120 |       |
|                          |  | V <sub>IN</sub> < V <sub>IH</sub> , V <sub>CC</sub> = 1.7 V | 80  |       |
|                          |  | V <sub>IN</sub> > V <sub>IH</sub>                           | 2   |       |
| I <sub>A</sub> (Note 5)  | Address Input Current<br>(A0, A1, A2)<br>Product Rev H | V <sub>IN</sub> < V <sub>IH</sub> , V <sub>CC</sub> = 5.5 V | 50  | μA    |
|                          |  | V <sub>IN</sub> < V <sub>IH</sub> , V <sub>CC</sub> = 3.6 V | 35  |       |
|                          |  | V <sub>IN</sub> < V <sub>IH</sub> , V <sub>CC</sub> = 1.7 V | 25  |       |
|                          |  | V <sub>IN</sub> > V <sub>IH</sub>                           | 2   |       |

- These parameters are tested initially and after a design or process change that affects the parameter according to appropriate AEC-Q100 and JEDEC test methods.
- When not driven, the WP, A0, A1 and A2 pins are pulled down to GND internally. For improved noise immunity, the internal pull-down is relatively strong; therefore the external driver must be able to supply the pull-down current when attempting to drive the input HIGH. To conserve power, as the input level exceeds the trip point of the CMOS input buffer (~ 0.5 x V<sub>CC</sub>), the strong pull-down reverts to a weak current source.

# CAT34C02

**Table 5. A.C. CHARACTERISTICS**

( $V_{CC} = 1.7\text{ V to }5.5\text{ V}$ ,  $T_A = -40^\circ\text{C to }+85^\circ\text{C}$  and  $V_{CC} = 2.5\text{ V to }5.5\text{ V}$ ,  $T_A = -40^\circ\text{C to }+125^\circ\text{C}$ ) (Note 6)

| Symbol                 | Parameter                                  | Standard |      | Fast |     | Units         |
|------------------------|--|----------|------|------|-----|---------------|
|                        |  | Min      | Max  | Min  | Max |               |
| $F_{SCL}$              | Clock Frequency                            |          | 100  |      | 400 | kHz           |
| $t_{HD:STA}$           | START Condition Hold Time                  | 4        |      | 0.6  |     | $\mu\text{s}$ |
| $t_{LOW}$              | Low Period of SCL Clock                    | 4.7      |      | 1.3  |     | $\mu\text{s}$ |
| $t_{HIGH}$             | High Period of SCL Clock                   | 4        |      | 0.6  |     | $\mu\text{s}$ |
| $t_{SU:STA}$           | START Condition Setup Time                 | 4.7      |      | 0.6  |     | $\mu\text{s}$ |
| $t_{HD:DAT}$           | Data Hold Time                             | 0        |      | 0    |     | $\mu\text{s}$ |
| $t_{SU:DAT}$           | Data Setup Time                            | 250      |      | 100  |     | ns            |
| $t_R$ (Note 7)         | SDA and SCL Rise Time                      |          | 1000 |      | 300 | ns            |
| $t_F$ (Note 7)         | SDA and SCL Fall Time                      |          | 300  |      | 300 | ns            |
| $t_{SU:STO}$           | STOP Condition Setup Time                  | 4        |      | 0.6  |     | $\mu\text{s}$ |
| $t_{BUF}$              | Bus Free Time Between STOP and START       | 4.7      |      | 1.3  |     | $\mu\text{s}$ |
| $t_{AA}$               | SCL Low to SDA Data Out                    |          | 3.5  |      | 0.9 | $\mu\text{s}$ |
| $t_{DH}$               | Data Out Hold Time                         | 100      |      | 100  |     | ns            |
| $T_i$ (Note 7)         | Noise Pulse Filtered at SCL and SDA Inputs |          | 100  |      | 100 | ns            |
| $t_{SU:WP}$            | WP Setup Time                              | 0        |      | 0    |     | $\mu\text{s}$ |
| $t_{HD:WP}$            | WP Hold Time                               | 2.5      |      | 2.5  |     | $\mu\text{s}$ |
| $t_{WR}$               | Write Cycle Time                           |          | 5    |      | 5   | ms            |
| $t_{PU}$ (Notes 7 & 8) | Power-up to Ready Mode                     |          | 1    |      | 1   | ms            |

6. Test conditions according to "A.C. Test Conditions" table.

7. Tested initially and after a design or process change that affects this parameter.

8.  $t_{PU}$  is the delay between the time  $V_{CC}$  is stable and the device is ready to accept commands.

**Table 6. THERMAL CHARACTERISTICS** (Air velocity = 0 m/s, 4 layers PCB) (Notes 9 and 10)

| Part Number | Package | $\theta_{JA}$ | $\theta_{JC}$ | Units              |
|-------------|---------|---------------|---------------|--------------------|
| CAT34C02Y   | TSSOP   | 64            | 37            | $^\circ\text{C/W}$ |
| CAT34C02VP2 | TDFN    | 92            | 15            | $^\circ\text{C/W}$ |
| CAT34C02HU3 | UDFN    | 101           | 18            | $^\circ\text{C/W}$ |
| CAT34C02HU4 | UDFN    | 101           | 18            | $^\circ\text{C/W}$ |

9.  $T_J = T_A + P_D * \theta_{JA}$ , where:  $T_J$  is the Junction Temperature,  $T_A$  the Ambient Temperature,  $P_D$  the Power dissipation.

Example: CAT34C02VP2,  $V_{CC} = 3.0\text{ V}$ ,  $I_{CCmax} = 1\text{ mA}$ ,  $T_A = 85^\circ\text{C}$ :  $T_J = 85^\circ\text{C} + 3\text{ mW} * 92^\circ\text{C/W} = 85.276^\circ\text{C}$ .

10.  $T_J = T_C + P_D * \theta_{JC}$ , where:  $T_C$  is the Case Temperature, etc.

**Table 7. A.C. TEST CONDITIONS**

|                           |  |
|---------------------------|--|
| Input Levels              | $0.2 V_{CC}$ to $0.8 V_{CC}$   |
| Input Rise and Fall Times | $\leq 50\text{ ns}$  |
| Input Reference Levels    | $0.3 V_{CC}$ , $0.7 V_{CC}$  |
| Output Reference Levels   | $0.5 V_{CC}$   |
| Output Load               | Current Source: $I_{OL} = 3\text{ mA}$ ( $V_{CC} \geq 2.5\text{ V}$ ); $I_{OL} = 1\text{ mA}$ ( $V_{CC} < 2.5\text{ V}$ ); $C_L = 100\text{ pF}$ |

**Power-On Reset (POR)**

The CAT34C02 incorporates Power-On Reset (POR) circuitry which protects the internal logic against powering up in the wrong state.

The CAT34C02 will power up into Standby mode after  $V_{CC}$  exceeds the POR trigger level and will power down into Reset mode when  $V_{CC}$  drops below the POR trigger level. This bi-directional POR feature protects the device against ‘brown-out’ failure following a temporary loss of power.

**Pin Description**

**SCL:** The Serial Clock input pin accepts the Serial Clock generated by the Master.

**SDA:** The Serial Data I/O pin receives input data and transmits data stored in EEPROM. In transmit mode, this pin is open drain. Data is acquired on the positive edge, and is delivered on the negative edge of SCL.

**A<sub>0</sub>, A<sub>1</sub> and A<sub>2</sub>:** The Address pins accept the device address. These pins have on-chip pull-down resistors.

**WP:** The Write Protect input pin inhibits all write operations, when pulled HIGH. This pin has an on-chip pull-down resistor.

**Functional Description**

The CAT34C02 supports the Inter-Integrated Circuit (I<sup>2</sup>C) Bus data transmission protocol, which defines a device that sends data to the bus as a transmitter and a device receiving data as a receiver. Data flow is controlled by a Master device, which generates the serial clock and all START and STOP conditions. The CAT34C02 acts as a Slave device. Master and Slave alternate as either transmitter or receiver. Up to 8 devices may be connected to the bus as determined by the device address inputs A<sub>0</sub>, A<sub>1</sub>, and A<sub>2</sub>.

**I<sup>2</sup>C Bus Protocol**

The I<sup>2</sup>C bus consists of two ‘wires’, SCL and SDA. The two wires are connected to the  $V_{CC}$  supply via pull-up resistors. Master and Slave devices connect to the 2-wire bus via their respective SCL and SDA pins. The transmitting

device pulls down the SDA line to ‘transmit’ a ‘0’ and releases it to ‘transmit’ a ‘1’.

Data transfer may be initiated only when the bus is not busy (see A.C. Characteristics).

During data transfer, the SDA line must remain stable while the SCL line is HIGH. An SDA transition while SCL is HIGH will be interpreted as a START or STOP condition (Figure 2).

**Start**

The START condition precedes all commands. It consists of a HIGH to LOW transition on SDA while SCL is HIGH. The START acts as a ‘wake-up’ call to all receivers. Absent a START, a Slave will not respond to commands.

**Stop**

The STOP condition completes all commands. It consists of a LOW to HIGH transition on SDA while SCL is HIGH. The STOP starts the internal Write cycle (when following a Write command) or sends the Slave into standby mode (when following a Read command).

**Device Addressing**

The Master initiates data transfer by creating a START condition on the bus. The Master then broadcasts an 8-bit serial Slave address. The first 4 bits of the Slave address are set to 1010, for normal Read/Write operations (Figure 3). The next 3 bits, A<sub>2</sub>, A<sub>1</sub> and A<sub>0</sub>, select one of 8 possible Slave devices. The last bit,  $R/\overline{W}$ , specifies whether a Read (1) or Write (0) operation is to be performed.

**Acknowledge**

After processing the Slave address, the Slave responds with an acknowledge (ACK) by pulling down the SDA line during the 9<sup>th</sup> clock cycle (Figure 4). The Slave will also acknowledge the byte address and every data byte presented in Write mode. In Read mode the Slave shifts out a data byte, and then releases the SDA line during the 9<sup>th</sup> clock cycle. If the Master acknowledges the data, then the Slave continues transmitting. The Master terminates the session by not acknowledging the last data byte (NoACK) and by sending a STOP to the Slave. Bus timing is illustrated in Figure 5.

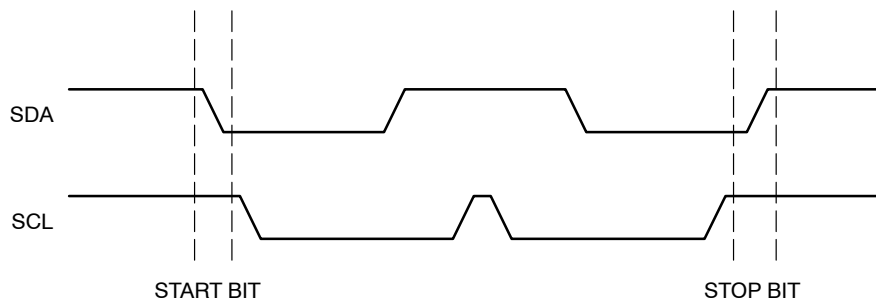


Figure 2. Start/Stop Timing

# CAT34C02

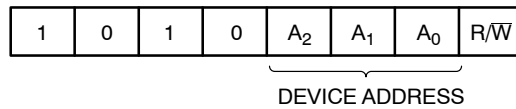


Figure 3. Slave Address Bits

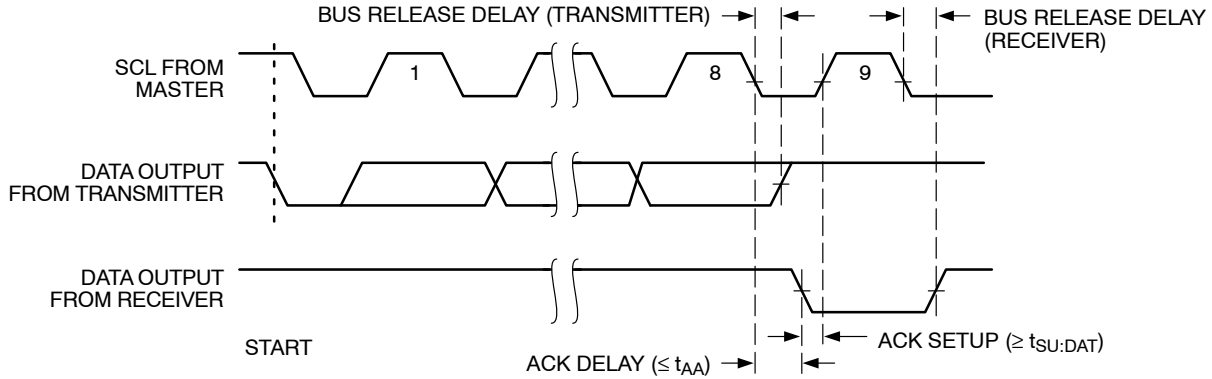


Figure 4. Acknowledge Timing

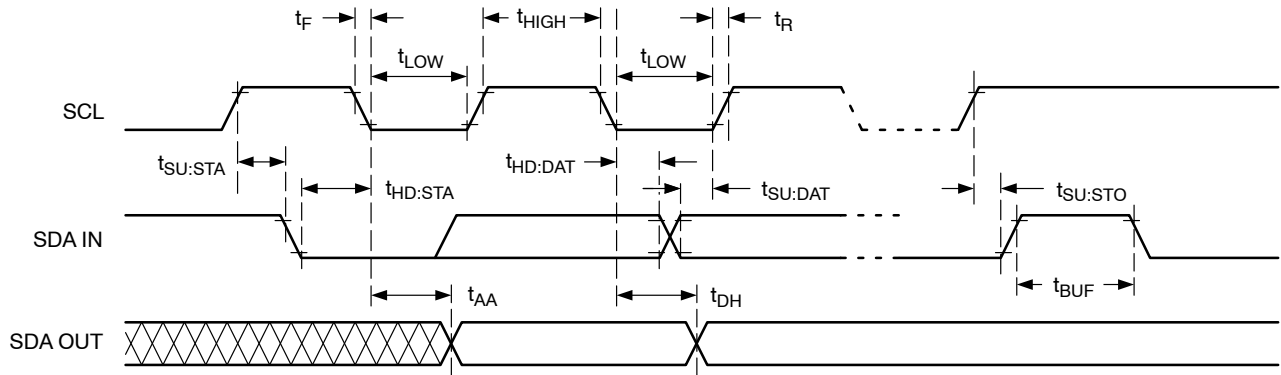


Figure 5. Bus Timing

## Write Operations

### Byte Write

In Byte Write mode the Master sends a START, followed by Slave address, byte address and data to be written (Figure 6). The Slave acknowledges all 3 bytes, and the Master then follows up with a STOP, which in turn starts the internal Write operation (Figure 7). During internal Write, the Slave will not acknowledge any Read or Write request from the Master.

### Page Write

The CAT34C02 contains 256 bytes of data, arranged in 16 pages of 16 bytes each. A page is selected by the 4 most significant bits of the address byte following the Slave address, while the 4 least significant bits point to the byte within the page. Up to 16 bytes can be written in one Write cycle (Figure 8).

The internal byte address counter is automatically incremented after each data byte is loaded. If the Master transmits more than 16 data bytes, then earlier bytes will be overwritten by later bytes in a ‘wrap-around’ fashion (within the selected page). The internal Write cycle starts immediately following the STOP.

### Acknowledge Polling

Acknowledge polling can be used to determine if the CAT34C02 is busy writing or is ready to accept commands. Polling is implemented by interrogating the device with a ‘Selective Read’ command (see READ OPERATIONS).

The CAT34C02 will not acknowledge the Slave address, as long as internal Write is in progress.

### Delivery State

The CAT34C02 is shipped ‘unprotected’, i.e. neither SWP flag is set. The entire 2 kb memory is erased, i.e. all bytes are FFh.

# CAT34C02

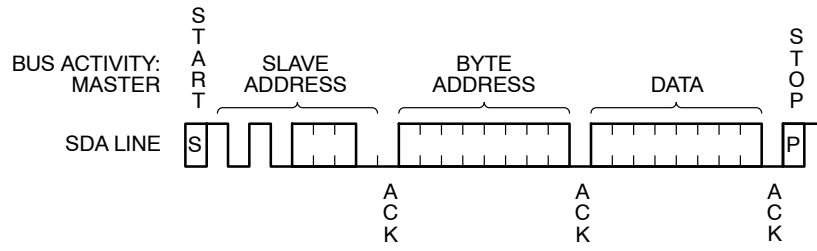


Figure 6. Byte Write Timing

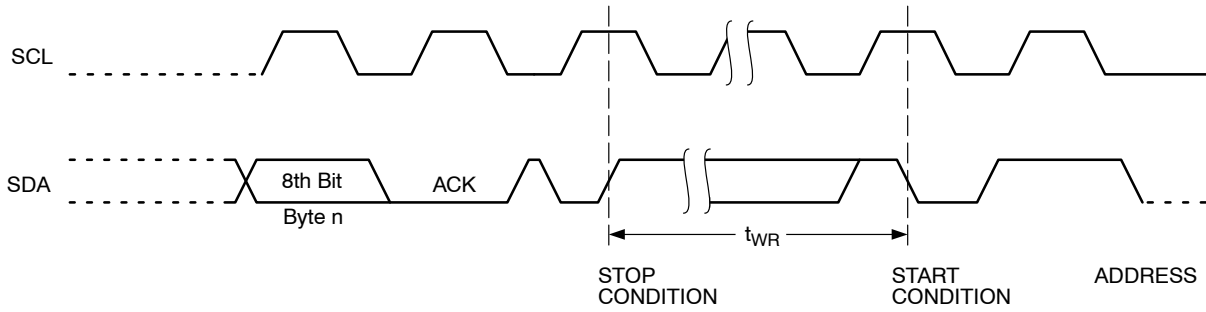
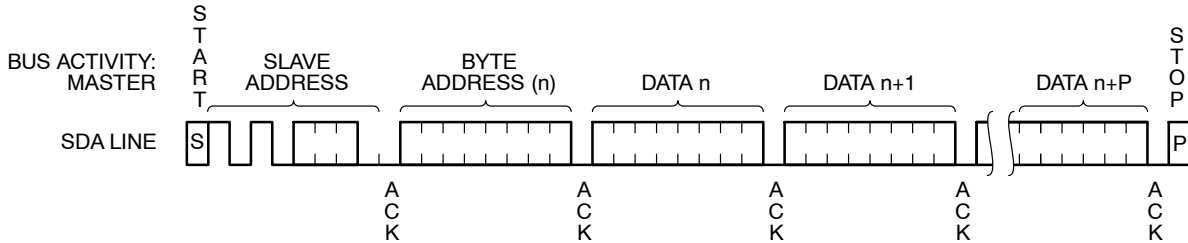


Figure 7. Write Cycle Timing



NOTE: IN THIS EXAMPLE  $n = \text{XXXX } 0000(\text{B}); X = 1 \text{ or } 0$

Figure 8. Page Write Timing

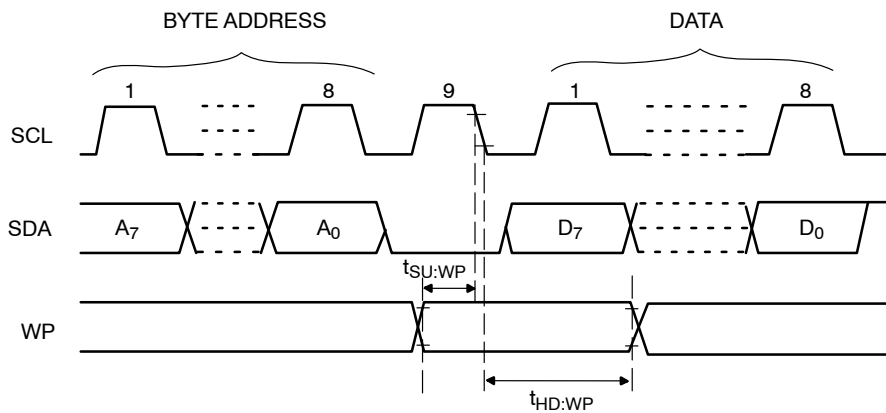


Figure 9. WP Timing

**Read Operations**

**Immediate Address Read**

In standby mode, the CAT34C02 internal address counter points to the data byte immediately following the last byte accessed by a previous operation. If that ‘previous’ byte was the last byte in memory, then the address counter will point to the 1<sup>st</sup> memory byte, etc.

When, following a START, the CAT34C02 is presented with a Slave address containing a ‘1’ in the R/W bit position (Figure 10), it will acknowledge (ACK) in the 9<sup>th</sup> clock cycle, and will then transmit data being pointed at by the internal address counter. The Master can stop further transmission by issuing a NoACK, followed by a STOP condition.

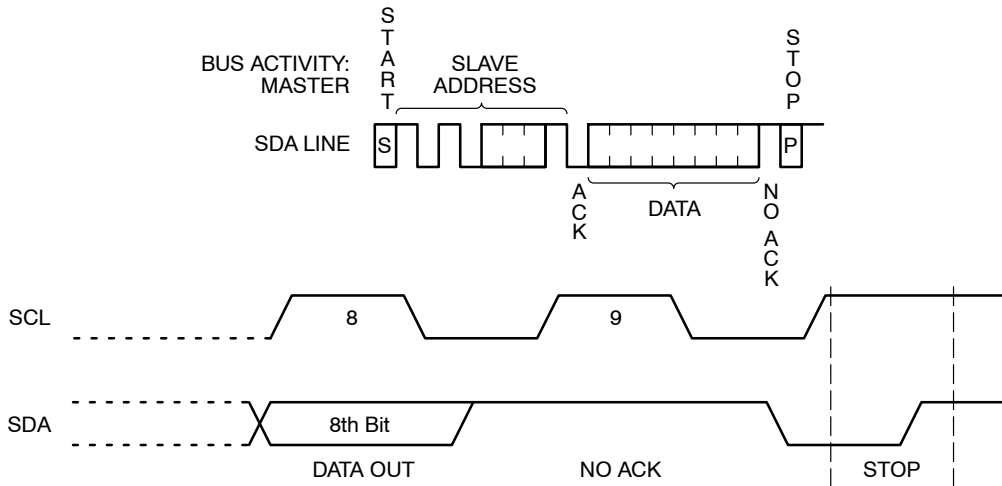
**Selective Read**

The Read operation can also be started at an address different from the one stored in the internal address counter.

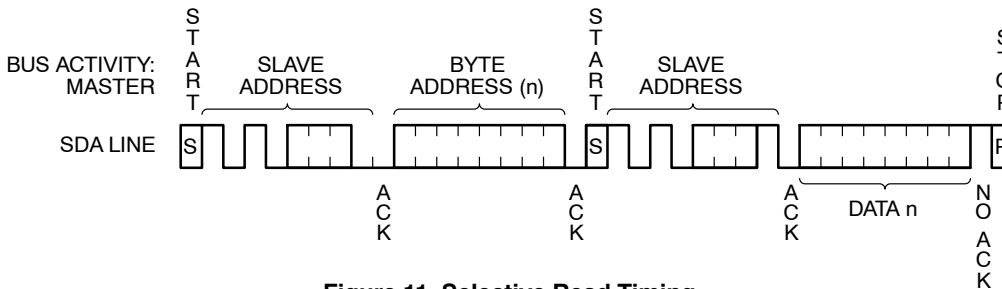
The address counter can be initialized by performing a ‘dummy’ Write operation (Figure 11). Here the START is followed by the Slave address (with the R/W bit set to ‘0’) and the desired byte address. Instead of following up with data, the Master then issues a 2<sup>nd</sup> START, followed by the ‘Immediate Address Read’ sequence, as described earlier.

**Sequential Read**

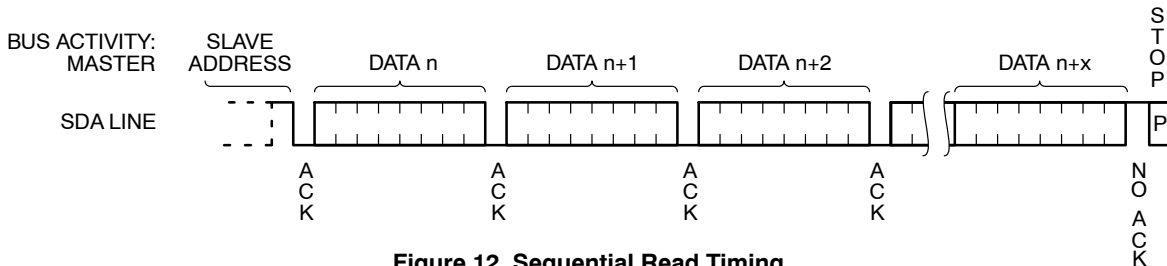
If the Master acknowledges the 1<sup>st</sup> data byte transmitted by the CAT34C02, then the device will continue transmitting as long as each data byte is acknowledged by the Master (Figure 12). If the end of memory is reached during sequential Read, then the address counter will ‘wrap-around’ to the beginning of memory, etc. Sequential Read works with either ‘Immediate Address Read’ or ‘Selective Read’, the only difference being the starting byte address.



**Figure 10. Immediate Address Read Timing**



**Figure 11. Selective Read Timing**



**Figure 12. Sequential Read Timing**

# CAT34C02

## Software Write Protection

The lower half of memory (first 128 bytes) can be protected against Write requests by setting one of two Software Write Protection (SWP) flags.

The Permanent Software Write Protection (PSWP) flag can be set or read while all address pins are at regular CMOS levels (GND or V<sub>CC</sub>), whereas the very high voltage V<sub>HV</sub> must be present on address pin A<sub>0</sub> to set, clear or read the Reversible Software Write Protection (RSWP) flag. The D.C. OPERATING CONDITIONS for RSWP operations are shown in Table 8.

The SWP commands are listed in Table 9. All commands are preceded by a START and terminated with a STOP, following the ACK or NoACK from the CAT34C02. All SWP related Slave addresses use the pre-amble: 0110 (6h), instead of the regular 1010 (Ah) used for memory access. For PSWP commands, the three address pins can be at any logic level, whereas for RSWP commands the address pins must be at pre-assigned logic levels. V<sub>HV</sub> is interpreted as logic '1'. The V<sub>HV</sub> condition must be established on pin A<sub>0</sub> before the START and maintained just beyond the STOP. Otherwise an RSWP request could be interpreted by the CAT34C02 as a PSWP request.

The SWP Slave addresses follow the standard I<sup>2</sup>C convention, i.e. to read the state of the SWP flag, the LSB of the Slave address must be '1', and to set or clear a flag, it must be '0'. For Write commands a dummy byte address and dummy data byte must be provided (Figure 14). In contrast to a regular memory Read, a SWP Read does not return Data. Instead the CAT34C02 will respond with NoACK if the flag

is set and with ACK if the flag is not set. Therefore, the Master can immediately follow up with a STOP, as there is no meaningful data following the ACK interval (Figure 15).

## Hardware Write Protection

With the WP pin held HIGH, the entire memory, as well as the SWP flags are protected against Write operations, see Memory Protection Map below. If the WP pin is left floating or is grounded, it has no impact on the operation of the CAT34C02.

The state of the WP pin is strobed on the last falling edge of SCL immediately preceding the first data byte (Figure 9). If the WP pin is HIGH during the strobe interval, the CAT34C02 will not acknowledge the data byte and the Write request will be rejected.

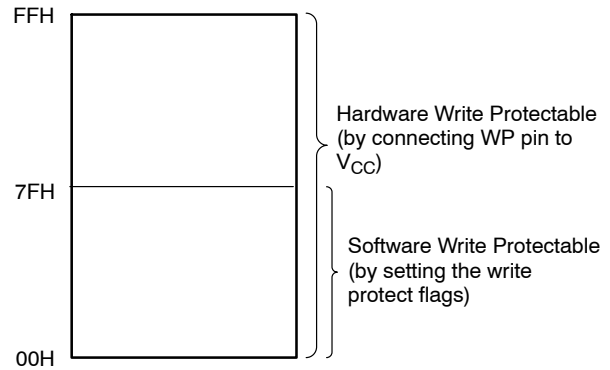


Figure 13. Memory Protection Map

Table 8. RSWP D.C. OPERATING CONDITIONS (Note 11)

| Symbol           | Parameter   | Test Conditions                 | Min | Max | Units |
|------------------|---|---------------------------------|-----|-----|-------|
| $\Delta V_{HV}$  | A <sub>0</sub> Overdrive (V <sub>HV</sub> - V <sub>CC</sub> ) | 1.7 V < V <sub>CC</sub> < 3.6 V | 4.8 |     | V     |
| I <sub>HVD</sub> | A <sub>0</sub> High Voltage Detector Current                  |                                 |     | 0.1 | mA    |
| V <sub>HV</sub>  | A <sub>0</sub> Very High Voltage                              |                                 | 7   | 10  | V     |
| I <sub>HV</sub>  | A <sub>0</sub> Input Current @ V <sub>HV</sub>                |                                 |     | 1   | mA    |

11. To prevent damaging the CAT34C02 while applying V<sub>HV</sub>, it is strongly recommended to limit the power delivered to pin A<sub>0</sub>, by inserting a series resistor (> 1.5 kΩ) between the supply and the input pin. The resistance is only limited by the combination of V<sub>HV</sub> and maximum I<sub>HVD</sub>. While the resistor can be omitted if V<sub>HV</sub> is clamped well below 10 V, it nevertheless provides simple protection against EOS events. As an example: V<sub>CC</sub> = 1.7 V, V<sub>HV</sub> = 8 V, 1.5 kΩ < R<sub>S</sub> < 15 kΩ.



Table 9. SWP COMMANDS

| Action     | Control Pin Levels<br>(Note 12) |                |                 |                 | Flag State<br>(Note 13) |      | Slave Address                    |                |                |                |                | ACK ? | Address Byte | ACK ? | Data Byte | ACK ? | Write Cycle |  |
|------------|---------------------------------|----------------|-----------------|-----------------|-------------------------|------|----------------------------------|----------------|----------------|----------------|----------------|-------|--------------|-------|-----------|-------|-------------|--|
|            | WP                              | A <sub>2</sub> | A <sub>1</sub>  | A <sub>0</sub>  | PSWP                    | RSWP | b <sub>7</sub> to b <sub>4</sub> | b <sub>3</sub> | b <sub>2</sub> | b <sub>1</sub> | b <sub>0</sub> |       |              |       |           |       |             |  |
| Set PSWP   | X                               | A <sub>2</sub> | A <sub>1</sub>  | A <sub>0</sub>  | 1                       | X    | 0110                             | A <sub>2</sub> | A <sub>1</sub> | A <sub>0</sub> | X              | No    |              |       |           |       |             |  |
|            | GND                             | A <sub>2</sub> | A <sub>1</sub>  | A <sub>0</sub>  | 0                       | X    |                                  | A <sub>2</sub> | A <sub>1</sub> | A <sub>0</sub> | 0              | Yes   | X            | Yes   | X         | Yes   | Yes         |  |
|            | V <sub>CC</sub>                 | A <sub>2</sub> | A <sub>1</sub>  | A <sub>0</sub>  | 0                       | X    |                                  | A <sub>2</sub> | A <sub>1</sub> | A <sub>0</sub> | 0              | Yes   | X            | Yes   | X         | No    | No          |  |
|            | X                               | A <sub>2</sub> | A <sub>1</sub>  | A <sub>0</sub>  | 0                       | X    |                                  | A <sub>2</sub> | A <sub>1</sub> | A <sub>0</sub> | 1              | Yes   |              |       |           |       |             |  |
| Set RSWP   | X                               | GND            | GND             | V <sub>HV</sub> | 1                       | X    |                                  | 0              | 0              | 1              | X              | No    |              |       |           |       |             |  |
|            | X                               | GND            | GND             | V <sub>HV</sub> | 0                       | 1    |                                  | 0              | 0              | 1              | X              | No    |              |       |           |       |             |  |
|            | GND                             | GND            | GND             | V <sub>HV</sub> | 0                       | 0    |                                  | 0              | 0              | 1              | 0              | Yes   | X            | Yes   | X         | Yes   | Yes         |  |
|            | V <sub>CC</sub>                 | GND            | GND             | V <sub>HV</sub> | 0                       | 0    |                                  | 0              | 0              | 1              | 0              | Yes   | X            | Yes   | X         | No    | No          |  |
|            | X                               | GND            | GND             | V <sub>HV</sub> | 0                       | 0    |                                  | 0              | 0              | 1              | 1              | Yes   |              |       |           |       |             |  |
| Clear RSWP | X                               | GND            | V <sub>CC</sub> | V <sub>HV</sub> | 1                       | X    |                                  | 0              | 1              | 1              | X              | No    |              |       |           |       |             |  |
|            | GND                             | GND            | V <sub>CC</sub> | V <sub>HV</sub> | 0                       | X    |                                  | 0              | 1              | 1              | 0              | Yes   | X            | Yes   | X         | Yes   | Yes         |  |
|            | V <sub>CC</sub>                 | GND            | V <sub>CC</sub> | V <sub>HV</sub> | 0                       | X    |                                  | 0              | 1              | 1              | 0              | Yes   | X            | Yes   | X         | No    | No          |  |
|            | X                               | GND            | V <sub>CC</sub> | V <sub>HV</sub> | 0                       | X    |                                  | 0              | 1              | 1              | 1              | Yes   |              |       |           |       |             |  |

12. Here A<sub>2</sub>, A<sub>1</sub> and A<sub>0</sub> are either at V<sub>CC</sub> or GND.  
 13. 1 stands for 'Set', 0 stands for 'Not Set', X stands for 'don't care'.

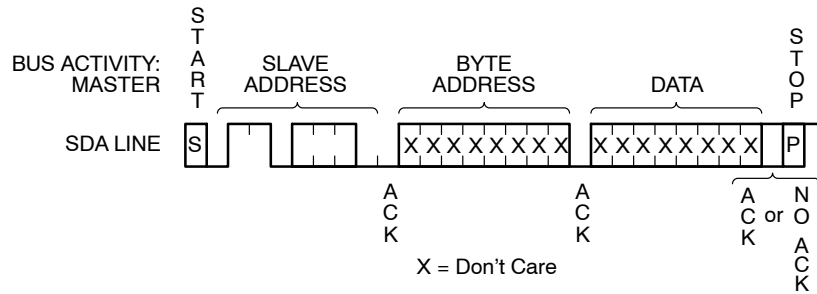


Figure 14. Software Write Protect (Write)

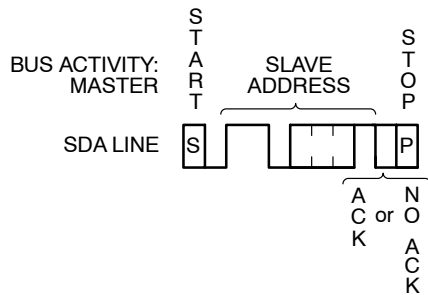


Figure 15. Software Write Protect (Read)

## CAT34C02

### Ordering Information

| Device Order Number | Specific Device Marking | Package Type | Temperature Range                  | Lead Finish | Shipping†                          |
|---------------------|-------------------------|--------------|------------------------------------|-------------|------------------------------------|
| CAT34C02HU4EGT4A    | D1U                     | UDFN-8       | I = Industrial<br>(-40°C to +85°C) | NiPdAu      | Tape & Reel,<br>4,000 Units / Reel |
| CAT34C02HU4I-GT4    | D1U                     | UDFN-8       | I = Industrial<br>(-40°C to +85°C) | NiPdAu      | Tape & Reel,<br>4,000 Units / Reel |
| CAT34C02HU4I-GTK    | D1U                     | UDFN-8       | I = Industrial<br>(-40°C to +85°C) | NiPdAu      | Tape & Reel,<br>4,000 Units / Reel |
| CAT34C02HU4IGT4A    | D1U                     | UDFN-8       | I = Industrial<br>(-40°C to +85°C) | NiPdAu      | Tape & Reel,<br>4,000 Units / Reel |
| CAT34C02HU4IGT4U5   | D1U                     | UDFN-8       | I = Industrial<br>(-40°C to +85°C) | NiPdAu      | Tape & Reel,<br>4,000 Units / Reel |
| CAT34C02VP2I-GT4    | D1T                     | TDFN-8       | I = Industrial<br>(-40°C to +85°C) | NiPdAu      | Tape & Reel,<br>4,000 Units / Reel |
| CAT34C02VP2IGT4A    | D1T                     | TDFN-8       | I = Industrial<br>(-40°C to +85°C) | NiPdAu      | Tape & Reel,<br>4,000 Units / Reel |
| CAT34C02YI-GT5      | 34CH                    | TSSOP-8      | I = Industrial<br>(-40°C to +85°C) | NiPdAu      | Tape & Reel,<br>5,000 Units / Reel |
| CAT34C02YI-GT5A     | 34CH                    | TSSOP-8      | I = Industrial<br>(-40°C to +85°C) | NiPdAu      | Tape & Reel,<br>5,000 Units / Reel |

†For information on tape and reel specifications, including part orientation and tape sizes, please refer to our Tape and Reel Packaging Specifications Brochure, BRD8011/D.

14. All packages are RoHS-compliant (Lead-free, Halogen-free)

15. The standard lead finish is NiPdAu.

16. **For Gresham ONLY die, please order the OPNs: CAT34C02YI-GT5A, CAT34C02VP2IGT4A, CAT34C02HU3IGT4A, CAT34C02HU4IGT4A or CAT34C02HU4IGTU5.**

17. For additional package and temperature options, please contact your nearest ON Semiconductor Sales office.

# MECHANICAL CASE OUTLINE

## PACKAGE DIMENSIONS

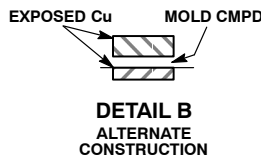
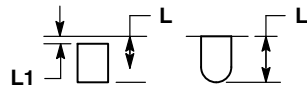
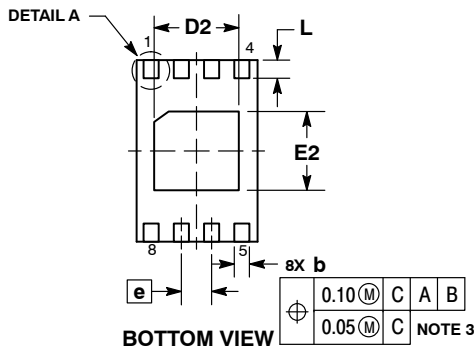
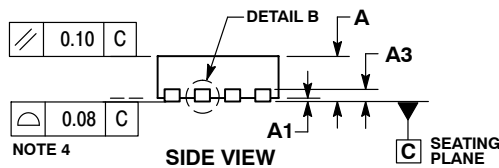
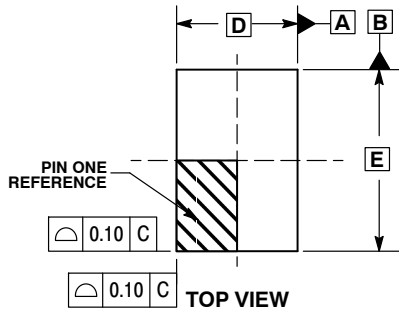
ON Semiconductor®



SCALE 2:1

TDFN8, 2x3, 0.5P  
CASE 511AK  
ISSUE B

DATE 18 MAR 2015

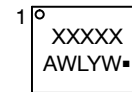


**NOTES:**

1. DIMENSIONING AND TOLERANCING PER ASME Y14.5M, 1994.
2. CONTROLLING DIMENSION: MILLIMETERS.
3. DIMENSION b APPLIES TO PLATED TERMINAL AND IS MEASURED BETWEEN 0.15 AND 0.25MM FROM THE TERMINAL TIP.
4. COPLANARITY APPLIES TO THE EXPOSED PAD AS WELL AS THE TERMINALS.

| DIM | MILLIMETERS |      |
|-----|-------------|------|
|     | MIN         | MAX  |
| A   | 0.70        | 0.80 |
| A1  | 0.00        | 0.05 |
| A3  | 0.20 REF    |      |
| b   | 0.20        | 0.30 |
| D   | 2.00 BSC    |      |
| D2  | 1.30        | 1.50 |
| E   | 3.00 BSC    |      |
| E2  | 1.20        | 1.40 |
| e   | 0.50 BSC    |      |
| L   | 0.20        | 0.40 |
| L1  | ---         | 0.15 |

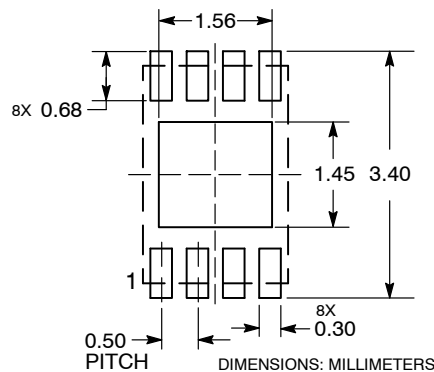
**GENERIC MARKING DIAGRAM\***



- XXXXX = Specific Device Code
- A = Assembly Location
- WL = Wafer Lot
- Y = Year
- W = Work Week
- = Pb-Free Package

\*This information is generic. Please refer to device data sheet for actual part marking. Pb-Free indicator, "G" or microdot "▪", may or may not be present.

**RECOMMENDED SOLDERING FOOTPRINT\***



\*For additional information on our Pb-Free strategy and soldering details, please download the ON Semiconductor Soldering and Mounting Techniques Reference Manual, SOLDERRM/D.

|                         |                         |  |
|-------------------------|-------------------------|--|
| <b>DOCUMENT NUMBER:</b> | <b>98AON34336E</b>      | Electronic versions are uncontrolled except when accessed directly from the Document Repository. Printed versions are uncontrolled except when stamped "CONTROLLED COPY" in red. |
| <b>DESCRIPTION:</b>     | <b>TDFN8, 2X3, 0.5P</b> | <b>PAGE 1 OF 1</b>   |

ON Semiconductor and ON are trademarks of Semiconductor Components Industries, LLC dba ON Semiconductor or its subsidiaries in the United States and/or other countries. ON Semiconductor reserves the right to make changes without further notice to any products herein. ON Semiconductor makes no warranty, representation or guarantee regarding the suitability of its products for any particular purpose, nor does ON Semiconductor assume any liability arising out of the application or use of any product or circuit, and specifically disclaims any and all liability, including without limitation special, consequential or incidental damages. ON Semiconductor does not convey any license under its patent rights nor the rights of others.

# MECHANICAL CASE OUTLINE

## PACKAGE DIMENSIONS

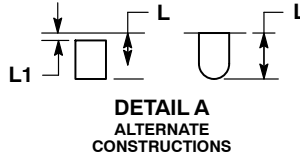
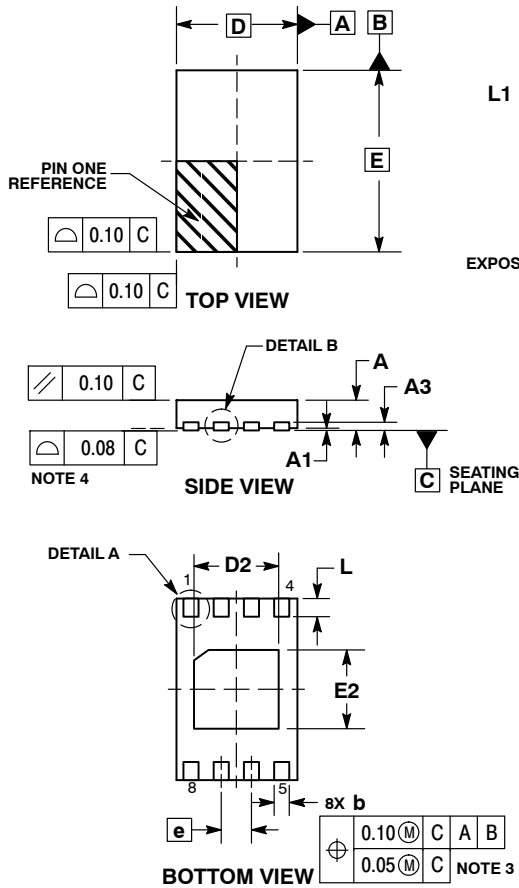
ON Semiconductor®



SCALE 2:1

### UDFN8, 2x3 EXTENDED PAD CASE 517AZ ISSUE A

DATE 23 MAR 2015



**NOTES:**

1. DIMENSIONING AND TOLERANCING PER ASME Y14.5M, 1994.
2. CONTROLLING DIMENSION: MILLIMETERS.
3. DIMENSION b APPLIES TO PLATED TERMINAL AND IS MEASURED BETWEEN 0.15 AND 0.25MM FROM THE TERMINAL TIP.
4. COPLANARITY APPLIES TO THE EXPOSED PAD AS WELL AS THE TERMINALS.

| DIM | MILLIMETERS |      |
|-----|-------------|------|
|     | MIN         | MAX  |
| A   | 0.45        | 0.55 |
| A1  | 0.00        | 0.05 |
| A3  | 0.13 REF    |      |
| b   | 0.20        | 0.30 |
| D   | 2.00 BSC    |      |
| D2  | 1.35        | 1.45 |
| E   | 3.00 BSC    |      |
| E2  | 1.25        | 1.35 |
| e   | 0.50 BSC    |      |
| L   | 0.25        | 0.35 |
| L1  | ---         | 0.15 |

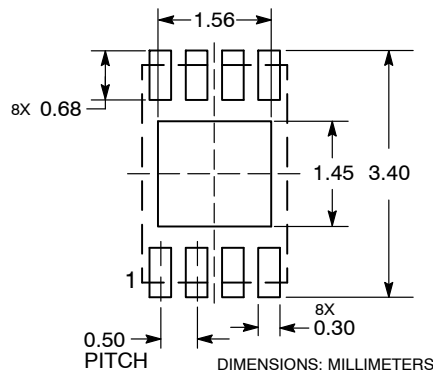
### GENERIC MARKING DIAGRAM\*



- XXXXX = Specific Device Code
- A = Assembly Location
- WL = Wafer Lot
- Y = Year
- W = Work Week
- = Pb-Free Package

\*This information is generic. Please refer to device data sheet for actual part marking. Pb-Free indicator, "G" or microdot "▪", may or may not be present.

### RECOMMENDED SOLDERING FOOTPRINT\*



\*For additional information on our Pb-Free strategy and soldering details, please download the ON Semiconductor Soldering and Mounting Techniques Reference Manual, SOLDERRM/D.

|                         |                                |  |
|-------------------------|--------------------------------|--|
| <b>DOCUMENT NUMBER:</b> | <b>98AON42552E</b>             | Electronic versions are uncontrolled except when accessed directly from the Document Repository. Printed versions are uncontrolled except when stamped "CONTROLLED COPY" in red. |
| <b>DESCRIPTION:</b>     | <b>UDFN8, 2X3 EXTENDED PAD</b> | <b>PAGE 1 OF 1</b>   |

ON Semiconductor and ON are trademarks of Semiconductor Components Industries, LLC dba ON Semiconductor or its subsidiaries in the United States and/or other countries. ON Semiconductor reserves the right to make changes without further notice to any products herein. ON Semiconductor makes no warranty, representation or guarantee regarding the suitability of its products for any particular purpose, nor does ON Semiconductor assume any liability arising out of the application or use of any product or circuit, and specifically disclaims any and all liability, including without limitation special, consequential or incidental damages. ON Semiconductor does not convey any license under its patent rights nor the rights of others.

# MECHANICAL CASE OUTLINE

## PACKAGE DIMENSIONS

ON Semiconductor®



TSSOP8, 4.4x3  
CASE 948AL-01  
ISSUE O

DATE 19 DEC 2008



| SYMBOL   | MIN      | NOM  | MAX  |
|----------|----------|------|------|
| A        |          |      | 1.20 |
| A1       | 0.05     |      | 0.15 |
| A2       | 0.80     | 0.90 | 1.05 |
| b        | 0.19     |      | 0.30 |
| c        | 0.09     |      | 0.20 |
| D        | 2.90     | 3.00 | 3.10 |
| E        | 6.30     | 6.40 | 6.50 |
| E1       | 4.30     | 4.40 | 4.50 |
| e        | 0.65 BSC |      |      |
| L        | 1.00 REF |      |      |
| L1       | 0.50     | 0.60 | 0.75 |
| $\theta$ | 0°       |      | 8°   |

TOP VIEW



SIDE VIEW



END VIEW

**Notes:**

- (1) All dimensions are in millimeters. Angles in degrees.
- (2) Complies with JEDEC MO-153.

|                         |                      |   |
|-------------------------|----------------------|---|
| <b>DOCUMENT NUMBER:</b> | <b>98AON34428E</b>   | Electronic versions are uncontrolled except when accessed directly from the Document Repository.<br>Printed versions are uncontrolled except when stamped "CONTROLLED COPY" in red. |
| <b>DESCRIPTION:</b>     | <b>TSSOP8, 4.4X3</b> | <b>PAGE 1 OF 1</b>  |

ON Semiconductor and are trademarks of Semiconductor Components Industries, LLC dba ON Semiconductor or its subsidiaries in the United States and/or other countries. ON Semiconductor reserves the right to make changes without further notice to any products herein. ON Semiconductor makes no warranty, representation or guarantee regarding the suitability of its products for any particular purpose, nor does ON Semiconductor assume any liability arising out of the application or use of any product or circuit, and specifically disclaims any and all liability, including without limitation special, consequential or incidental damages. ON Semiconductor does not convey any license under its patent rights nor the rights of others.

**onsemi**, **Onsemi**, and other names, marks, and brands are registered and/or common law trademarks of Semiconductor Components Industries, LLC dba "**onsemi**" or its affiliates and/or subsidiaries in the United States and/or other countries. **onsemi** owns the rights to a number of patents, trademarks, copyrights, trade secrets, and other intellectual property. A listing of **onsemi**'s product/patent coverage may be accessed at [www.onsemi.com/site/pdf/Patent-Marking.pdf](http://www.onsemi.com/site/pdf/Patent-Marking.pdf). **onsemi** reserves the right to make changes at any time to any products or information herein, without notice. The information herein is provided "as-is" and **onsemi** makes no warranty, representation or guarantee regarding the accuracy of the information, product features, availability, functionality, or suitability of its products for any particular purpose, nor does **onsemi** assume any liability arising out of the application or use of any product or circuit, and specifically disclaims any and all liability, including without limitation special, consequential or incidental damages. Buyer is responsible for its products and applications using **onsemi** products, including compliance with all laws, regulations and safety requirements or standards, regardless of any support or applications information provided by **onsemi**. "Typical" parameters which may be provided in **onsemi** data sheets and/or specifications can and do vary in different applications and actual performance may vary over time. All operating parameters, including "Typicals" must be validated for each customer application by customer's technical experts. **onsemi** does not convey any license under any of its intellectual property rights nor the rights of others. **onsemi** products are not designed, intended, or authorized for use as a critical component in life support systems or any FDA Class 3 medical devices or medical devices with a same or similar classification in a foreign jurisdiction or any devices intended for implantation in the human body. Should Buyer purchase or use **onsemi** products for any such unintended or unauthorized application, Buyer shall indemnify and hold **onsemi** and its officers, employees, subsidiaries, affiliates, and distributors harmless against all claims, costs, damages, and expenses, and reasonable attorney fees arising out of, directly or indirectly, any claim of personal injury or death associated with such unintended or unauthorized use, even if such claim alleges that **onsemi** was negligent regarding the design or manufacture of the part. **onsemi** is an Equal Opportunity/Affirmative Action Employer. This literature is subject to all applicable copyright laws and is not for resale in any manner.

## PUBLICATION ORDERING INFORMATION

### LITERATURE FULFILLMENT:

Email Requests to: [orderlit@onsemi.com](mailto:orderlit@onsemi.com)

**onsemi Website:** [www.onsemi.com](http://www.onsemi.com)

### TECHNICAL SUPPORT

**North American Technical Support:**

Voice Mail: 1 800-282-9855 Toll Free USA/Canada

Phone: 011 421 33 790 2910

**Europe, Middle East and Africa Technical Support:**

Phone: 00421 33 790 2910

For additional information, please contact your local Sales Representative

# Mouser Electronics

Authorized Distributor

Click to View Pricing, Inventory, Delivery & Lifecycle Information:

[onsemi:](#)

[CAT34C02VP2I-GT4](#) [CAT34C02HU3I-GT4](#) [CAT34C02HU4I-GT4](#) [CAT34C02VP2IGT4A](#) [CAT34C02YI-GT5A](#)  
[CAT34C02YI-GT5](#) [CAT34C02HU4IGT4A](#) [CAT34C02HU3IGT4A](#) [CAT34C02YI-G](#)